

# Dial Calipers

## LA series (Outside measuring of ODs and thicknesses)

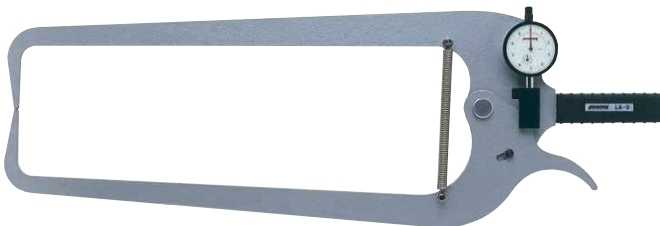
The dial caliper gauge show its great power in measurement of inside and outside sizes, wall thickness, groove width and hole diameters and any other shapes and sections that is not apparently accessible.



**LA-1**  
Graduation: 0.1mm  
Range: 0-80mm  
Throat depth: 120mm



**LA-2**  
Graduation: 0.1mm  
Range: 0-80mm  
Throat depth: 240mm



**LA-3**  
Graduation: 0.1mm  
Range: 0-80mm  
Throat depth: 400mm



**LA-4**  
Graduation: 0.05mm  
Range: 0-50mm  
Throat depth: 90mm



**LA-5**  
Graduation: 0.05mm  
Range: 0-50mm  
Throat depth: 150mm



**LA-6**  
Graduation: 0.01mm  
Range: 0-10mm  
Throat depth: 60mm



**LA-8**  
Graduation: 0.1mm  
Range: 0-80mm  
Throat depth: 130mm



**LA-7**  
Graduation: 0.01mm  
Range: 0-60mm  
Throat depth: 85mm

- Adjustable frame
- The LA-7 can measure an absolute value in a measuring range of 10 mm
- It allows measurement of comparative values in more than 10 mm



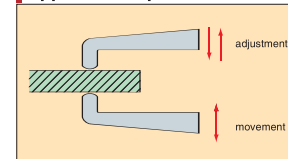
**LA-9**  
Graduation: 0.1mm  
Range: 0-30mm  
Throat depth: 100mm



**LA-10**  
Graduation: 0.01mm  
Range: 0-20mm  
Throat depth: 100mm

- The tip of the bottom frame  $\pm 10$ mm Flat Rocking Contact Point.

### Applied Example - outside -



Note: Throat Depth is changed by Measuring Range. Contact us more detailed information.

### Ex. LA-13

Range	Throat Depth
0- 50mm	235mm
0- 60mm	125mm
0- 80mm	102mm
0-100mm	91mm
0-130mm	86mm

### Specifications

Model	Graduation (mm)	Range (mm)	Indication error (mm)	Throat depth (mm)	Dimensions (mm)			
					H1	H2	H3	H4
LA-1	0.1	0~80	$\pm 0.2$	120	25	40	25	40
LA-2	0.1	0~80	$\pm 0.2$	240	48	57	48	57
LA-3	0.1	0~80	$\pm 0.2$	400	60	60	58	79
LA-4	0.05	0~50	$\pm 0.15$	90	30	40	30	40
LA-5	0.05	0~50	$\pm 0.15$	150	38	57	15	21
LA-5S	0.05	0~10	$\pm 0.15$	120	1.5	10	34	34
LA-6	0.01	0~10	$\pm 0.03$	60	2.5	18	2.5	18
LA-7	0.01	0~60	$\pm 0.03$	85	20	20	15	15
LA-8	0.1	0~80	$\pm 0.2$	130	—	—	—	—
LA-9	0.1	0~30	$\pm 0.2$	100	2	12	2	12
LA-10	0.01	0~20	$\pm 0.03$	100	28	28	28	28

see page 100



# Dial Calipers

7



**LA-11**  
Graduation: 0.1mm  
Range: 0~50mm  
Throat depth: 125mm



**LA-13**  
Graduation: 0.1mm  
Range: 0~130mm  
\*Throat depth: 235mm  
\* see page 101



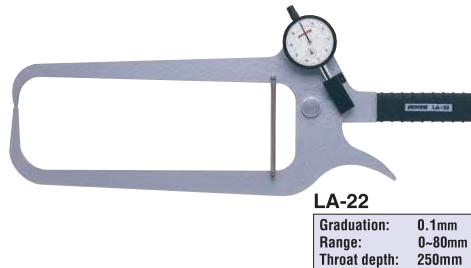
**LA-14**  
Graduation: 0.01mm  
Range: 100~150mm  
Throat depth: 70mm  
● LA-14 is for comparative measurement.



**LA-20**  
Graduation: 0.1mm  
Range: 0~80mm  
Throat depth: 125mm

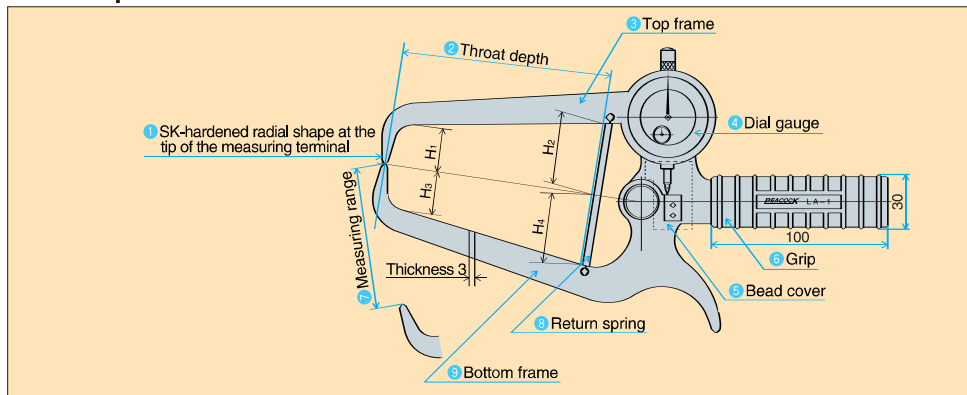


**LA-21**  
Graduation: 0.1mm  
Range: 0~80mm  
Throat depth: 220mm



**LA-22**  
Graduation: 0.1mm  
Range: 0~80mm  
Throat depth: 250mm

## Name of parts



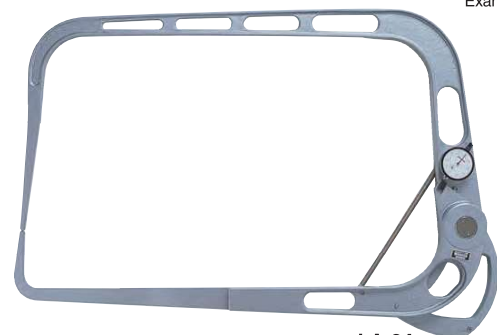
**LA-23**  
Graduation: 0.1mm  
Range: 0~80mm  
Throat depth: 300mm



**LA-31**  
Graduation: 0.01mm  
Range: 0~20mm  
Throat depth: 125mm



Example



**LA-24**  
Graduation: 0.1mm  
Range: 0~100mm  
Throat depth: 600mm  
● Max. opening frame 500mm

Note: Throat Depth is changed by Measuring Range.  
Contact us more detailed information.

### Ex. LA-13

Range	Throat Depth
0~ 50mm	235mm
0~ 60mm	125mm
0~ 80mm	102mm
0~100mm	91mm
0~130mm	86mm

## Specifications

Model	Graduation (mm)	Range (mm)	Indication error (mm)	Throat depth (mm)	Dimensions (mm)			
					H1	H2	H3	H4
LA-11	0.1	0~50	±0.2	125	2	5.5	2	5.5
LA-13	0.1	0~130	±0.3	235	134	134	15	37
LA-14	0.01	100~150	±0.03	70	—	—	—	—
LA-20	0.1	0~80	±0.2	125	17	11	17	11
LA-21	0.1	0~80	±0.2	220	66	69	12	10
LA-22	0.1	0~80	±0.2	250	28	23	62	62
LA-23	0.1	0~80	±0.2	300	45	50	48	43
LA-24	0.1	0~100	±0.4	600	300	300	100	100
LA-31	0.01	0~20	±0.03	125	60	63	—	—

7